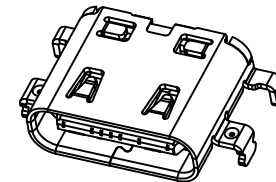
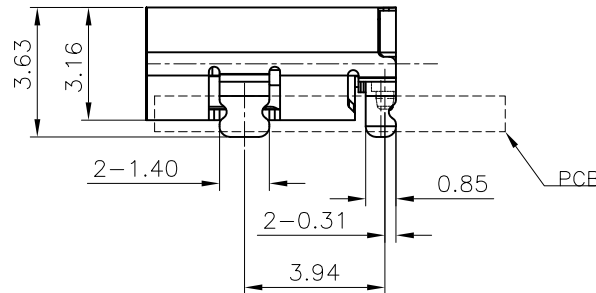
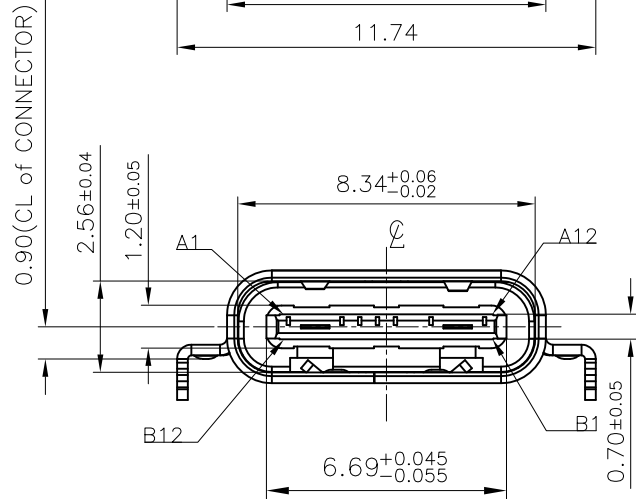


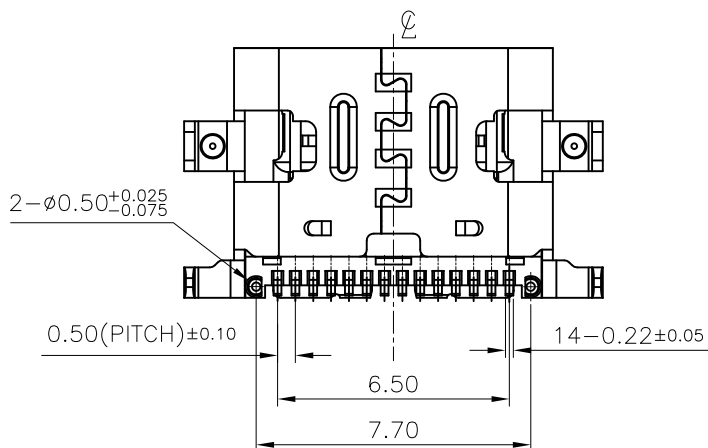
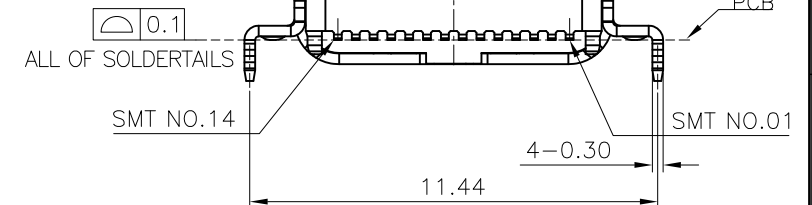
- NOTES:
- MATERIAL:
    - HOUSING: THERMOPLASTIC, HIGH TEMP., UL94V-0;
    - CONTACT: COPPER ALLOY, T=0.15mm
    - SHELL: STAINLESS STEEL, T=0.30mm
  - PLATING:
    - CONTACT: GOLD FLASH ON CONTACT, MATTE Sn 60~150u" ON SOLDERING AREA, 50~100u" NICKEL UNDERPLATING OVERALL.
    - SHELL: 50u" MIN NICKEL UNDERPLATING OVERALL.
  - ELECTRICAL CHARACTERISTICS:
    - CURRENT RATING: 3.0 A  
VOLTAGE RATING: 5.0 V
    - LLCR: VBUS & GND PINS: 40mΩ/PIN MAX  
OTHER PINS: 40mΩ/PIN MAX  
CHANGE OF ALL PINS: 10mΩ
    - INSULATION RESISTANCE: 100MΩ MIN.
  - MECHANICAL CHARACTERISTICS:
    - INSERTION FORCE: 0.5~2.0kg.
    - WITHDRAWAL FORCE: 0.8~2.0kg.(INITIAL)  
0.6~2.0kg.(AFTER LIFE TEST)
  - LIFE TEST: 10000 CYCLES MIN
  - SPEC. PLS. REFER TO PS-55911-xxxx-xxx
  - PACKAGE PLS REFER TO 31832-xxxx-xx-TRP
  - PART NUMBER



31832-014 X X-XXX

NO OF CKT: \_\_\_\_\_  
PACKING: \_\_\_\_\_  
O: TAPE & REEL

001: NONE  
PLATING: \_\_\_\_\_  
2: GOLD FLASH ON CONTACT



A12	GND	B1	GND
A11		B2	
A10		B3	
A9	VBUS	B4	VBUS
A8		B5	CC2
A7	Dn1	B6	Dp2
A6	Dp1	B7	Dn2
A5	CC1	B8	
A4	VBUS	B9	VBUS
A3		B10	
A2		B11	
A1	GND	B12	GND
PIN	SIGNAL NAME	PIN	SIGNAL NAME

SMT NO.	1	2	3	4	5	6	7	8	9	10	11	12	13	14
PIN	B12	A1	B9	A4	A5	A6	A7	B7	B6	B5	A9	B4	A12	B1
SIGNAL	GND	GND	VBUS	VBUS	CC1	Dp1	Dn1	Dn2	Dp2	CC2	VBUS	VBUS	GND	GND

QUALITY SYMBOLS

MAJOR

CRITICAL

GENERAL TOLERANCES (UNLESS SPECIFIED)

X. ±0.5

.X ±0.25

.XX ±0.15

.XXX ±0.1

ANGLES ±2°

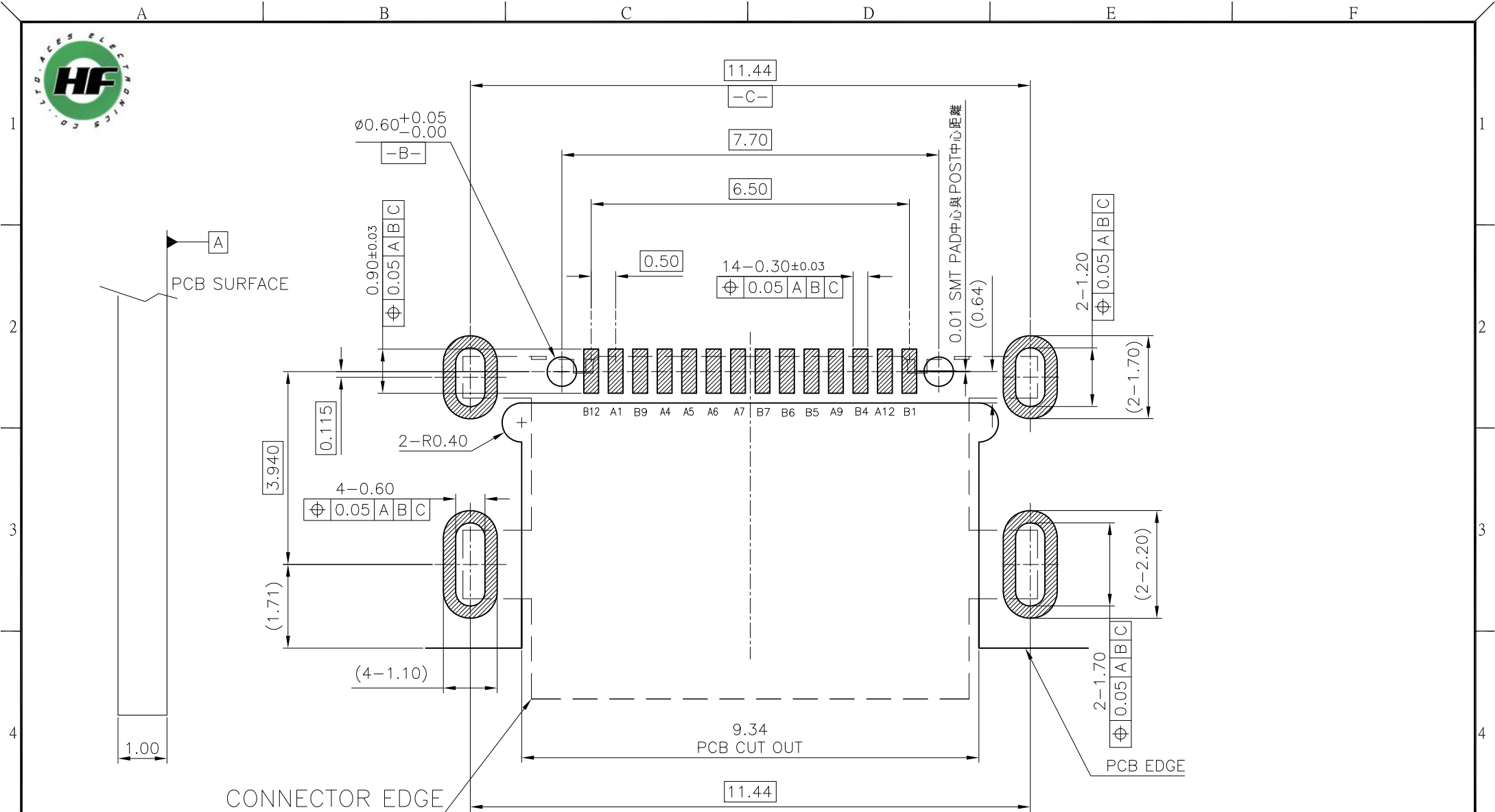
DRAWN BY	DATE
Chang, Chun Wei	18/03/05
CHECKED BY	DATE
Chang, Chun Te	18/03/05
APPROVED BY	DATE
Kuo, Rong Hsun	18/03/05
UNITS	
mm	
SCALE	SHEET NO.
2:1	1 OF 1

**ACES ELECTRONICS**

TITLE: USB 2.0 TYPE C Mid-Mount REC CONN (SMT R/A)

SIZE: A4 DWG NO.: 31832-014XX-XXX

REV: 0 PART NO.: SEE NOTES



RECOMMENDED PCBLAYOUT  
 TOP VIEW  
 SCALE 10:1  
 (TOLERANCE = ±0.05mm)

<b>QUALITY SYMBOLS</b> MAJOR CRITICAL <b>GENERAL TOLERANCES</b> (UNLESS SPECIFIED) X. ±0.15 .X ±0.10 .XX ±0.05 .XXX ±0.02 ANGLES ±1°	DRAWN BY Chang, Chun Wei 18/03/05	DATE 18/03/05	
	CHECKED BY Chang, Chun Te 18/03/05	DATE 18/03/05	
APPROVED BY Kuo, Rong Hsun 18/03/05	DATE 18/03/05	UNITS mm	SIZE A4
SCALE 2:1	SHEET NO. 1 OF 1		DWG NO. 31832-014XX-XXX
		REV 0	PART NO. SEE NOTES